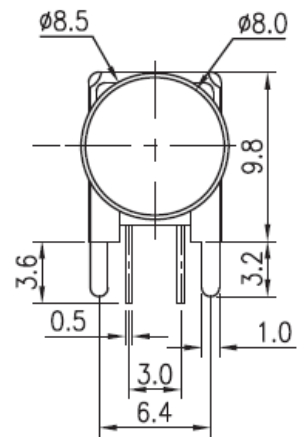
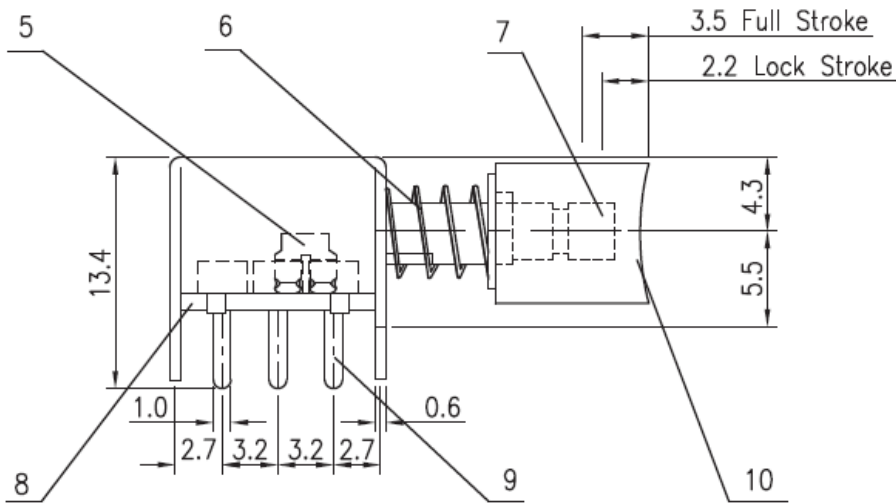
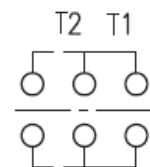


P.C.B LAYOUT
TOP VIEW



10	BOLT SLEEVE	PA66	1	BLACK
9	TERMINAL	BRASS STRIP	6	Aq PLATED
8	BASE	PHENOLIC RESIN	1	NATURAL
7	KNOB	PA66	1	BLACK
6	SPRING	STAINLESS STEEL	1	Ni PLATED
5	CONTACT PLATE	PBS	2	Ag PLATED
4	RING	SPCC	1	Ni PLATED
3	HOOK	BRASS	1	Ni PLATED
2	SHUNT SPRING	PHOSPHOR BRONZE	1	NATURAL
1	FRAME	SPCC	1	Ni PLATED
NO	PART NAME	MATERIAL	Q'TY	FINISHING



CIRCUIT



銓基電子股份有限公司
ROKI ELECTRONICS CO., LTD.

PART NAME : PUSH SWITCH+CAP

SCALE :

PART NO : PS46-22L-CAP17-K-PF

UNIT : mm

TOLERANCE: UP TO 5 ± 0.2mm
ABOVE5~30±0.3mm



VER : R02